

## About AERODIUM

- We are the only manufacturer that offers full product range from open to closed-recirculation tunnels
- We offer full service range – purchase, rental and shows
- We are the fastest growing VWT manufacturer worldwide
- Our passion is to develop and promote bodyflight as a part of a healthy lifestyle



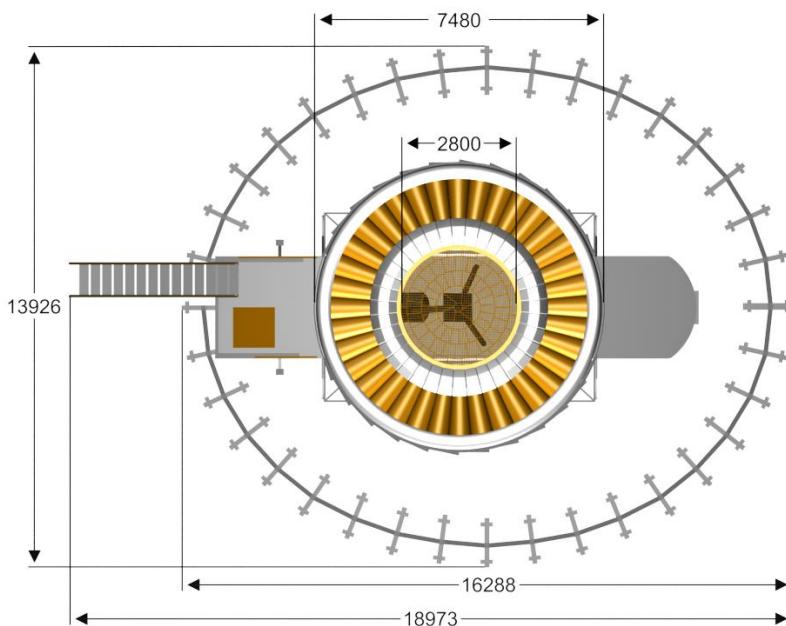
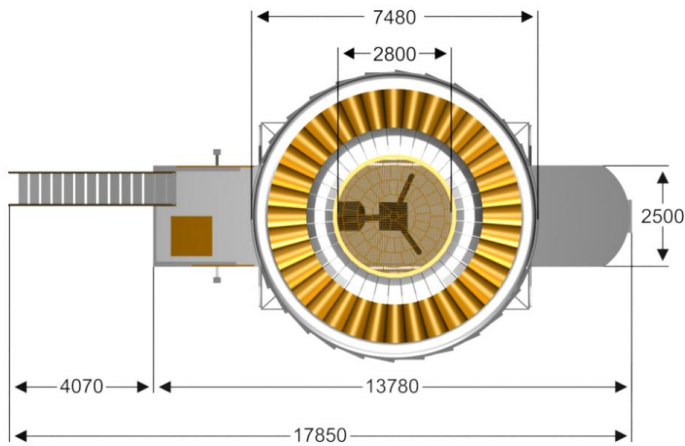
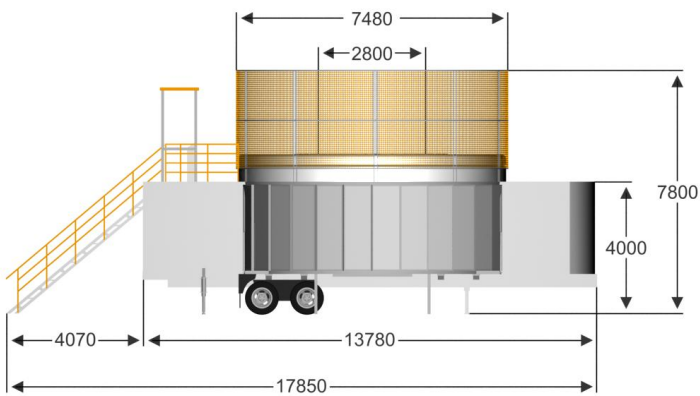
## MOBILE

**WORK WITH CUSTOMERS:** This tunnel is designed for entertainment purposes and its main advantage is mobility. MOBILE works on diesel engine and fuel tanks allow 10 hour non-stop operation. It is a perfect solution for festivals, big events and marketing campaigns. Two persons can fly at the same time – either 2 professionals or a beginner and an instructor. MOBILE will allow to:

- Enjoy safe body flight up to 4 meters in tandem with specially trained instructors
- Provide experience of flying in many different locations
- Attract attention of your target audience

**SHOWS:** This tunnel is amazing solution for show purposes. Two professionals can perform at the same time. Specially trained stunts can demonstrate complicated tricks – even up to 15 meters.

**RENTALS:** MOBILE is the best wind tunnel for marketing purposes and promotional events. Set-up and disassembling of the tunnel takes 6 hours (each). Telephone operators, soft drink producers, car manufacturers and many more will love to see their brand on MOBILE.



## Model specification

<b>Flying experience:</b>	open air
<b>Flight area:</b>	Ø 2,8m (9ft)
<b>Velocity:</b>	up to 51,4 m/s (185 km/h)
<b>Flying height:</b>	up to 15 meters
<b>Users:</b>	2 persons at a time, max weight - 100kg
<b>Power source:</b>	800 HP diesel engine for independent power source
<b>Power consumption:</b>	Max 120 l/h, AVG 100 l/h
<b>Noise level:</b>	in flight area: 115dBA beside wall: 85dBA 50m from tunnel: below 80dBA
<b>Dimensions on road:</b>	13,78 x 3 x 4 m
<b>Dimensions when installed:</b>	17,9 x 7,5 x 7,8 m
<b>Dimensions with sound wall:</b>	19 x 14 x 7,8 m
<b>Structure:</b>	steel
<b>Cushions:</b>	heavy duty PVC, inflatable, UV treated
<b>Warranty:</b>	2 years
<b>Assembling time:</b>	6 hours
<b>Transportation:</b>	1 x truck for tunnel 1 x semitrailer or 20ft container for noise wall



## **AERODIUM products and services**

Flight equipment

Training for assembling of tunnel

Technical training for operations & maintenance

Instructor training

## **AERODIUM products and services - optional**

Basic set of furniture

TUV safety certification

Website

Online booking system

Customer flow management software for reception

Flight session control software

Customer flight photo capturing system software and hardware

Basic set of IT hardware

Online and offline media marketing strategy

Opening event concept

## **ADDITIONAL Investment**

Purchase or rental of land

Site development

Parking

Connecting roads

Electricity connection and cables

Water supply

Internet connection

Delivery of the tunnel

Import Tax on tunnel components

Crane and machinery for set-up

Local people for set-up

Fundament for tunnel & building

Building for reception, instruction, staff etc.

Furniture and other interior equipment

Local permissions

Launch marketing

Website

